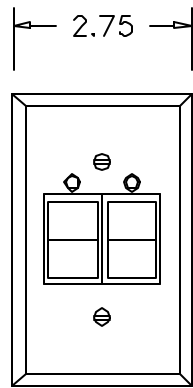
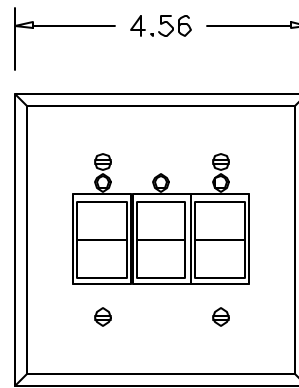


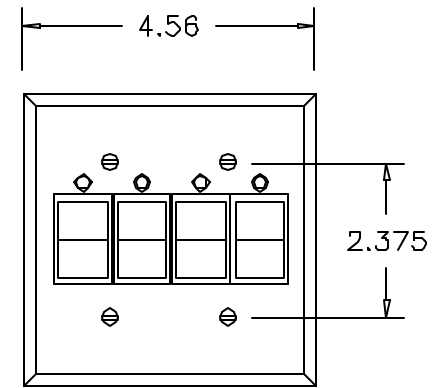
SINGLE GANG
SINGLE SWITCH
W/2 COLOUR LED



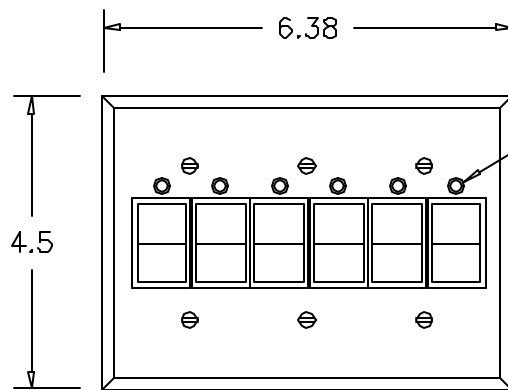
SINGLE GANG
2 SWITCH
W/2 COLOUR LED



2 GANG
3 SWITCH
W/2 COLOUR LED



2 GANG
4 SWITCH
W/2 COLOUR LED



3 GANG
6 SWITCH
W/2 COLOUR LED

LED INDICATOR

DIMENSIONS IN INCHES

NOTES:

1. WALLPLATE DIMENSIONS SUBJECT TO CHANGE WITHOUT NOTICE
2. WALLPLATES AVAILABLE WITH OR WITHOUT OPTIONAL LED INDICATORS
3. FINISHED IN STAINLESS STEEL OR WHITE SEMI-GLOSS



JOB NAME N/A

PROJ NO. N/A

TITLE STANDARD WALLPLATE CONFIGURATIONS

BY	AJM	CH	APP	DATE	04/30/04	SCALE	-:-
FILE NAME	LCS2 - Std Wallplates.dwg			SIZE	A	DWG. NO.	ISSUE
							1